

[Home](#) ■ [Produits](#) ■ [Dégrillage](#) ■ [Tamis ROTAMAT®](#) ■ [HUBER unité complète Hydro Duct ROTAMAT® Ro5 HD](#)

HUBER unité complète Hydro Duct ROTAMAT® Ro5 HD



Complete Plant with Hydro Duct

- Well-proven mechanical preliminary treatment equipment
- High grit separation efficiency
- Optional separate grease chamber with grease removal
- Compact, space-saving unit

The Ro 5HD Complete Plant combines the benefits of both aerated and unaerated grit traps by using a high-performance grit trap with a small overall plan area. The wastewater flows firstly through an inlet screen that retains, washes, compacts and dewateres the solids contained within the flow.

The screened wastewater then passes into an aerated grit trap that reduces the settlement of organics within the flow by the action of an aeration system within the grit trap. Grease along with other greasy material are collected in a separate integrated grease trap chamber from where the grease is automatically discharged by a well-proven paddle system.

The flow then enters a second unaerated upflow grit trap chamber which contains an integral hydro duct that ensures a directed flow approach from the bottom of the chamber with positive and uniform upflow distribution.

The flow velocity in the unaerated grit trap chamber is reduced to such an extent that very fine grit is easily and reliably separated. Whilst the separated particles are removed from the grit trap by classifying screws, they are simultaneously being statically dewatered

prior to being discharged into a container.

Schéma de principe

BENEFITS OF OUR ROTAMAT® COMPLETE PLANT WITH HYDRO-DUCT

- Fully integrated screenings separation, washing and dewatering in one system
- Very high levels of grit separation
- Optional separate grease chamber with semiautomatic grease removal system
- Above-ground or underground installation
- Small footprint and space-saving compact design
- Integral emergency overflow in the grit trap
- Optional grit washing system
- Integral emergency by-pass

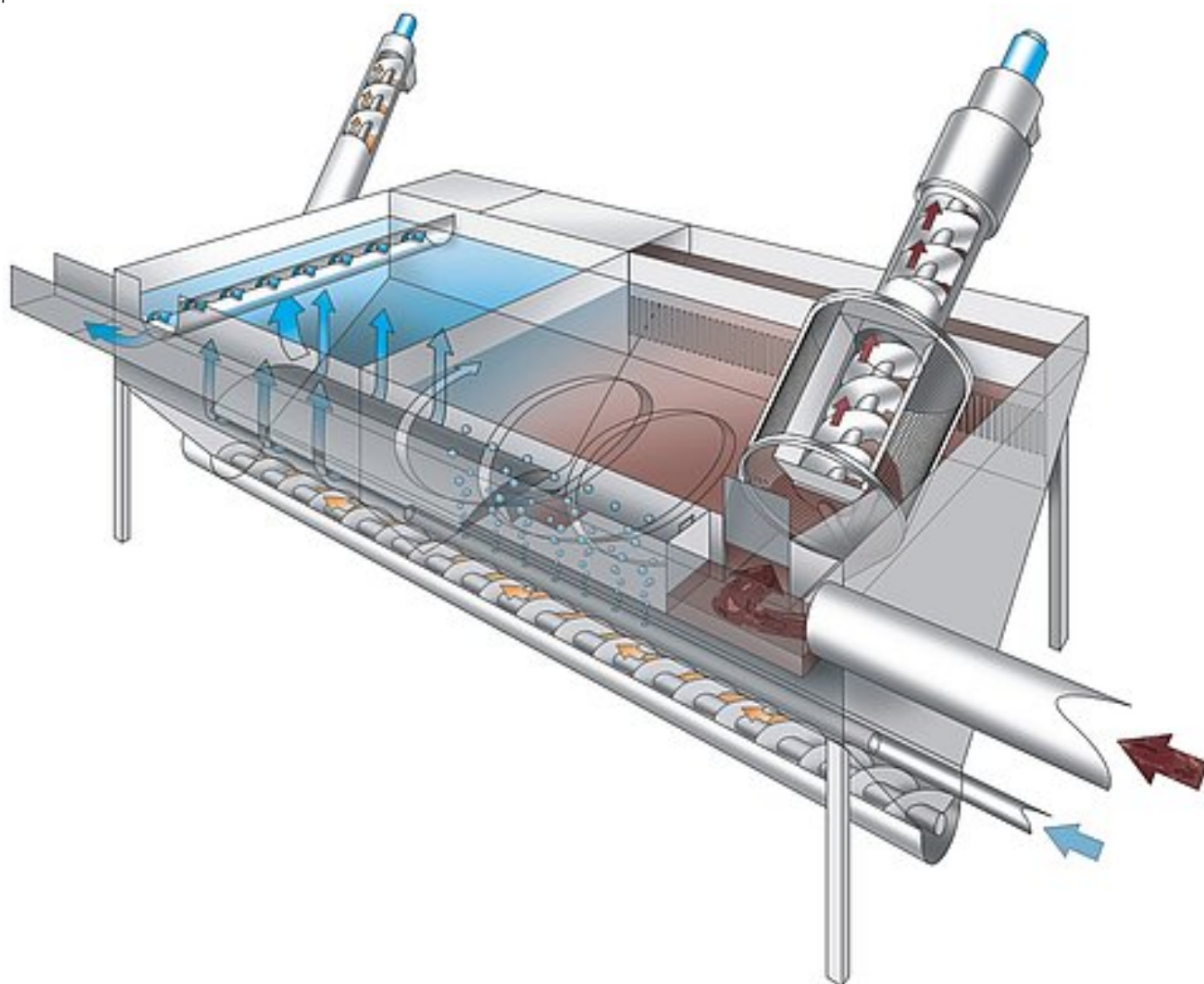
Downloads

 [Brochure: ROTAMAT® Complete Plant with Hydro-Duct Ro 5HD \(anglais\)](#) [pdf, 190 KB]

Références

- [Nouveau système de séparation et d'extraction des graisses pour nos dessableurs « Hydro Duct »](#)
- [Multifunctional Complete Plant installed on STP Ortenburg](#)

Schéma de principe



Photos



Produits annexes de la même gamme Tamis ROTAMAT®

- HUBER Dégriilleur fin ROTAMAT® Ro1
- HUBER Tamis rotatif ROTAMAT® Ro2 / RPPS / STAR
- HUBER Tamis à vis ROTAMAT® Ro9
- HUBER prétraitement compact intégral ROTAMAT® Ro5
- HUBER Coanda unité complète ROTAMAT® Ro5 C
- HUBER Tamis rotatif ROTAMAT® RoMem
- HUBER Dégriilleur à vis vertical pour stations de pompage ROTAMAT® RoK4

Winkelstrasse 12
CH-6048 Horw

Telefon +41 (0)41 349 68 68
Telefax +41 (0)41 349 68 78

E-mail: info@picatech.ch
www.picatech.ch

MWST Nr. 156 391
