

➤➤ Window with thermo glass and reversible hinged frame F4

Universally applicable as light openings in buildings, and in the whole field of disposal and supply.

Casement window, tilt and turn window, ready for installation, made from two-sheet special 1.4401 (V4A) stainless steel profile with intermediate special plastic core to prevent thermal conduction.

Blind frame, circumferential, made from special profile, designed for dowelling into window soffit, including fixing material.

Sash frame, made from Z-profile, integrated fittings. Multiple locking via handle set. Rebate and centre gaskets. Flush-fitting glazing bead, invisibly fastened.

Machine ground **surface finish**.

Dry glazing with insulation glass.

Ordering options:

Door opening options:

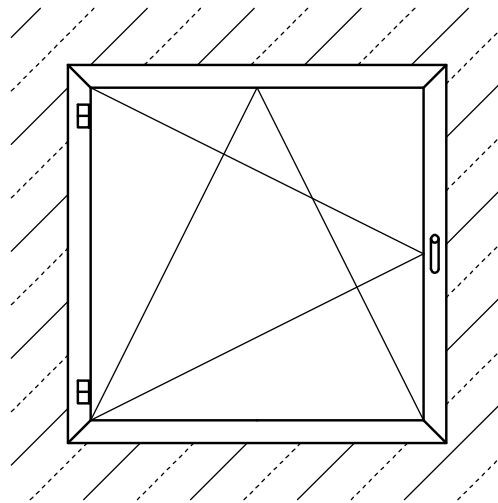
- Hinges on left
- Hinges on right

Special accessories available on request:

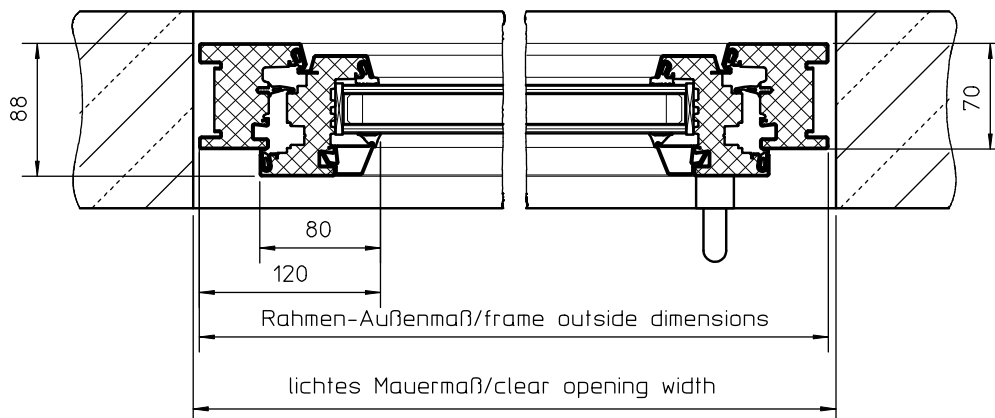
- Lacquered surface finish
- Special glazing (e.g. security glass)
- Multi-wing window
- Outside window sill made from stainless steel
- Water chamber window (with drain holes towards the dry side)

Note:

On multi-wing windows the T-profile middle spars are welded in.



Schnitt / section



Window	Clear wall opening width (B) / height (H)	Max. wing weight	Aspect ratio (W:H)
Type F4	einteilig: B = 415 - 1124 mm / H = 400 - 744 mm	130 kg	max. 1:0,75
	einteilig: B = 415 - 1324 mm / H = 745 - 924 mm		
	einteilig: B = 415 - 1524 mm / H = 925 - 2524 mm		

Available dimensions

HUBER SE

Industriepark Erasbach A1 · D-92334 Berching
Phone: + 49 - 84 62 - 201 - 0 · Fax: + 49 - 84 62 - 201 - 810
info@huber.de · Internet: www.huber.de

Subject to technical modification
Drawing No. 190.479, 8.2010

Window with thermo glass and reversible hinged frame F4