

➤➤ Rigid – Adjustable Louvre TT10

Completely made from stainless steel

Universally applicable for regulated venting and ventilating buildings

A) Rigid louvre, for external face of the wall, ready for installation, 1.4301/1.4307 stainless steel (AISI 304).

Frame, made from Z-profile with dowelling clips.

Slats, rigidly welded, matt surface finish, with 1 x 1 mm insect screen on the inside.

Both frame and slats are shielded arc-welded and acid bath cleaned before washing, drying and surface passivation.

Special accessories available on request:

- Lacquered surface finish
- Additional internal frame with removable fine filter for dust and pollen, held by wing nuts
- 1.4571/1.4404 stainless steel

B) Adjustable louvre, for internal face of the wall, ready for installation, 1.4301/1.4307 stainless steel (AISI 304).

Frame, made from angle section with boreholes for bolted fixing.

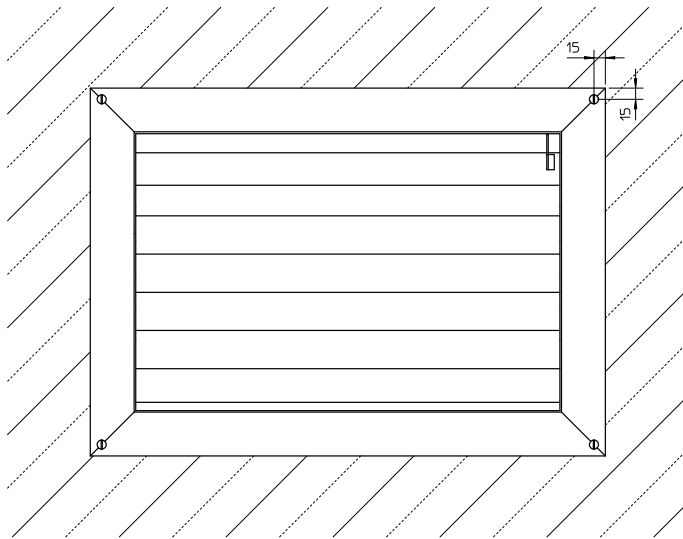
Adjustable slats, overlapping when closed, with chain pull lockable in any position.

Both frame and slats are shielded arc-welded and acid bath cleaned before washing, drying and surface passivation.

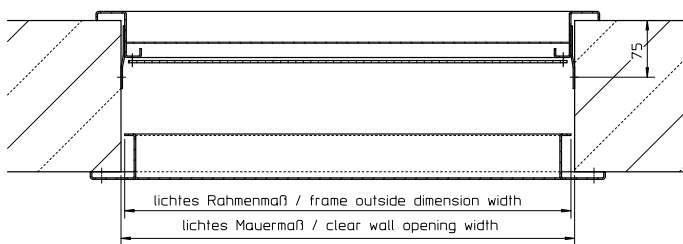
Special accessories available on request:

- Lacquered surface finish
- 1.4571/1.4404 stainless steel

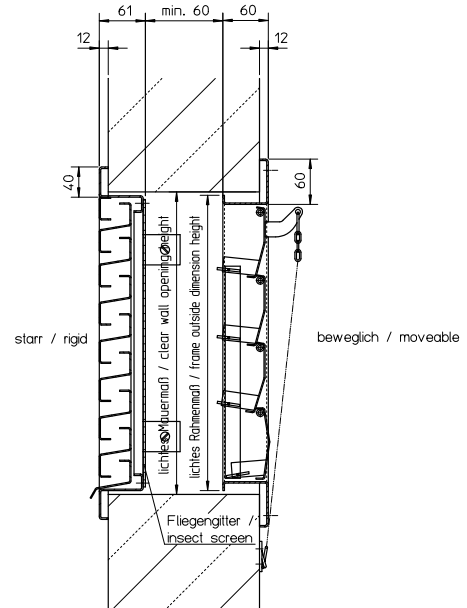
Jalousie beweglich dargestellt
louvers movable pictured



starr / rigid



beweglich / moveable



Nominal Size Order No.	Model	Clear wall opening width / height	Clear frame dimension width / height
0400/0200 JS	starr	400 / 200	390 / 190
0500/0300 JS	starr	500 / 300	490 / 290
0600/0400 JS	starr	600 / 400	590 / 390
0800/0400 JS	starr	800 / 400	790 / 390
1000/0400 JS	starr	1000 / 400	990 / 390
1000/0600 JS	starr	1000 / 600	990 / 590
0400/0200 JB	beweglich	400 / 200	390 / 190
0500/0300 JB	beweglich	500 / 300	490 / 290
0600/0400 JB	beweglich	600 / 400	590 / 390
0800/0400 JB	beweglich	800 / 400	790 / 390
1000/0400 JB	beweglich	1000 / 400	990 / 390
1000/0600 JB	beweglich	1000 / 600	990 / 590

Ask for further dimensions. All measurements in mm.

HUBER SE

Industriepark Erasbach A1 · D-92334 Berching
Phone: + 49 - 84 62 - 201 - 0 · Fax: + 49 - 84 62 - 201 - 810
info@huber.de · Internet: www.huber.de

Subject to technical modification
Drawing No. 190.172, 8.2010

Rigid – Adjustable Louvre TT10