

▶▶ Round Inspection Cover TT8

Completely made from stainless steel

Applicable as a sight glass in the bottom of water tanks, especially in elevated reservoirs

Inspection cover, pressure-tight up to a water gauge of 10 m, round, completely made from 1.4571/1.4404 stainless steel; can be lined on both sides.

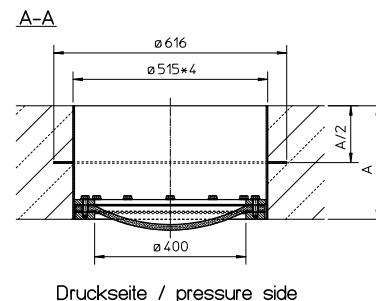
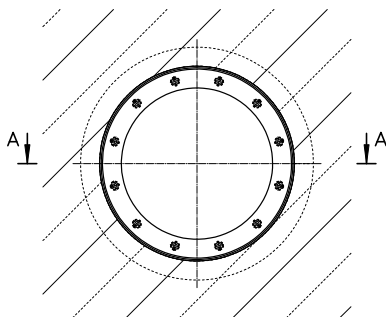
Sight glass with 15 mm thick safety glass, convex towards the pressure side. Sealing with two rubber seals. Clear sight diameter: 400 mm.

Access duct cover with centrally welded wall flange. Wall flange dimensions: 616 mm.

Access duct cover shielded arc-welded, acid-treated in a pickling bath and passivated.

Special accessories available on request:

- ▶ 1.4301/1.4307 stainless steel
- ▶ Sanded all sides for improved tightness in the concreted cover area



Nominal Size Order No.	Clear wall opening \varnothing	Wall flange dimension \varnothing	For wall thickness A
0400 SL	400	616	

Ask for further dimensions. All measurements in mm.

▶▶ Underwater Spotlight

Underwater spotlight, ready for installation into a concrete wall, casing completely made of 1.4435 stainless steel. With an adjustable flange (3-140 mm). Protection grade: IP 67, max. installation depth: 10 m. With HQI lamp E 40, 220 V, 400 W, 31.000 Lumen. Overall

length: 457 mm. Casing diameter: 403 mm. Flange outside diameter: 500 mm. Order no. 4.2000.00.40

HUBER SE

Industriepark Erasbach A1 · D-92334 Berching
Phone: + 49 - 84 62 - 201 - 0 · Fax: + 49 - 84 62 - 201 - 810
info@huber.de · Internet: www.huber.de

Subject to technical modification
Drawing No. 190/171/2, 8.2010

Round Inspection Cover TT8
Underwater Spotlight