

▶▶ Round Access Cover TT8

Completely made from stainless steel

Applicable as access in tanks and biogas plants, especially for maintenance and repair.

Access cover, pressure-tight up to a water gauge of 5 m, ready for installation, completely made from 4301/1.4307 stainless steel; can be lined on both sides.

Blank cover with lock and two handles for easy operation. Locking by means of screwed joints.

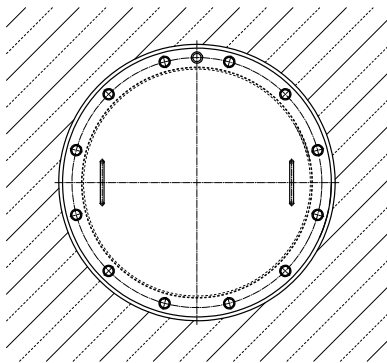
Frame, designed as F-piece with centrally welded wall flange. Frame with lifting eyes.

Blank cover and frame shielded arc-welded and acid bath cleaned before washing, drying and surface passivation.

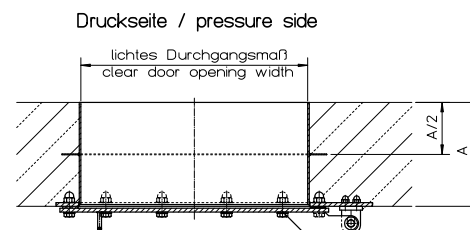
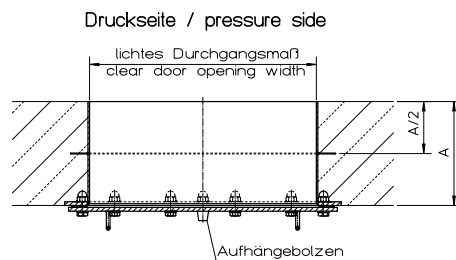
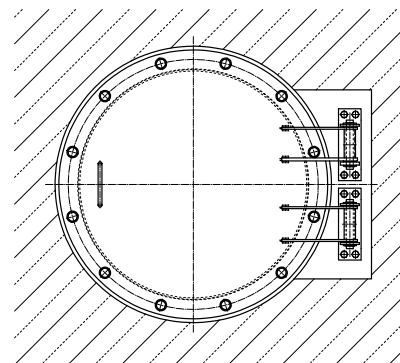
Special accessories available on request:

- ▶ 1.4571/1.4404 stainless steel
- ▶ Sanded all sides for improved tightness in the concreted cover area
- ▶ Stable maintenance-free hinges screwed to the frame, can be lined on both sides. (Please indicate the door opening option.)

Mannloch - Standard Ausführung/
Access cover - standard version



Mannloch - Sonder Ausführung mit Scharnier/
Access cover - special version with hinge



Nominal Size Order No.	Clear wall opening \varnothing	Wall flange dimension \varnothing	For wall thickness A
0600	600	710	
0800	800	910	

Ask for further dimensions. All measurements in mm.

HUBER SE

Industriepark Erasbach A1 · D-92334 Berching
Phone: + 49 - 84 62 - 201 - 0 · Fax: + 49 - 84 62 - 201 - 810
info@huber.de · Internet: www.huber.de

Subject to technical modification
Drawing No. 190.171/1

Round Access Cover TT8